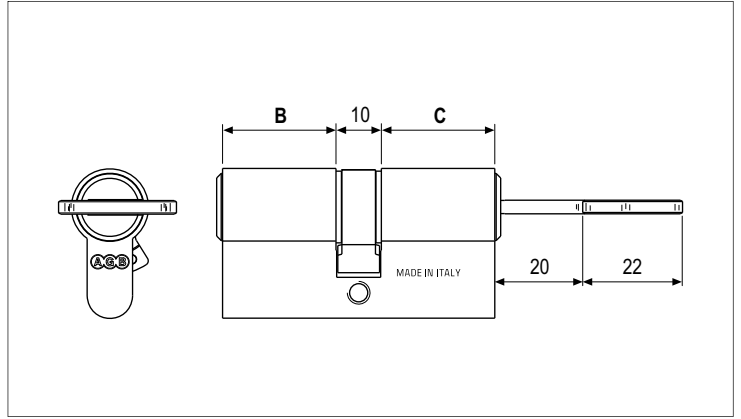
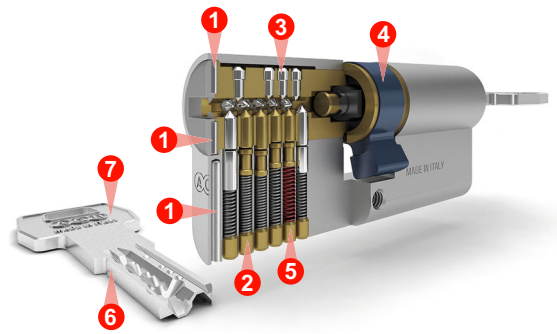


Mod. 5000 PS, key - key




Characteristics

- Security matt nickel plated brass cylinder.
- Designed on the basis of the sixth intrinsic security class according with the regulation EN 1303.
- 3 hardened steel anti-drill pins on each side. **1**
- 6 active pins **2** and 9 passive pins **3** for a wide range of coding.
- Anti-pull cam in sintered steel (23° inclination). **4**
- High-resistance to the bumping certified according with ICIM. **5**
- 5 flat reversible keys with longer neck compatible with protective rim guards. **6**
- Grip can be personalised with different coloured covers. **7**
- Nickel plated fastening screw, M5x76 mm.



Cylinder classification



EN 1303:2015 - ICIM 0039CS								
1	6	0	B	0	C	6	0	

ANTI-PICKING: Pass
ANTI-BUMPING: Level 2

Note. For further information, see the introduction called "Comparative table of cylinders according with the regulations EN 1303 and EN 1627" in the cylinders technical catalogue.

Cylinder choice guide

Antiburglar	
Systems	
Durability	
Finish	

Note. For further information, see the introduction called "Cylinder choice guide" in the cylinders technical catalogue.

Matt nickel plated brass

Article	Pins	B	C
CA0016.XX.XX	15	XX	XX

Note. Refer to the price list in force to check the availability of measures and special finishes on demand.